

Raindance Select E
Hand shower 150 3jet EcoSmart 9 l/min
 Surfaces: **Chrome** Article Number: **26551000**

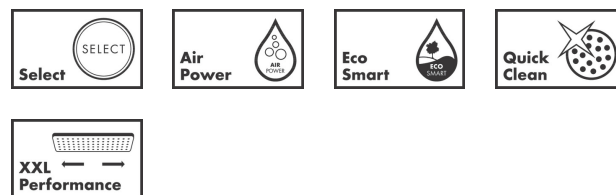


Description

product features

- hand shower with 2-shell construction
- shower head size: 150 mm
- convenient diversion via Select button
- spray type: RainAir, CaresseAir, Mix
- flow rate at 3 bar: 9 l/min
- with internal water conduction
- rinseable dirt filter
- connection thread G 1/2
- connection dimension: DN15
- suitable for continuous flow water heaters
- installation instructions: the hand shower shouldn't be combined with sliders which have two adjustable positions

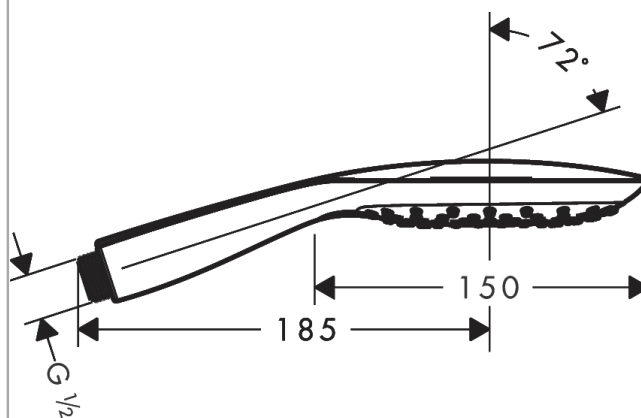
Technology



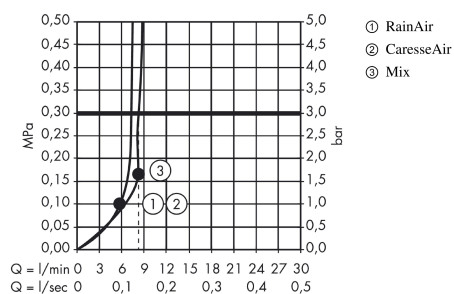
Product image



Scale drawing



Flowchart



The consumption was measured in combination with the appropriate fittings (thermostat/mixer/ in-wall valve) to reflect actual application in practice.